

MAS 620 - S6R MPTK

Fuel System

Fuel feed pump
Change over type fuel filters
Fuel injection pump
Shielded fuel injection lines

Lubricating Oil System

Oil pressure alarm switch
Full-flow lubricating oil filters (change over type)
By-pass filter (change over type)
Oil cooler with thermostat

Cooling System

Fresh water pump
Thermostats with by-pass

Electric System

Starter motor
Alternator 30 Amps

Inlet and Exhaust System

Turbo chargers MITSUBISHI
Inlet air main fold with air cleaner
Dry type exhaust main fold with vertical outlet, counter flange

Other Standard Equipment

Hydraulic governor
Mounting brackets

Alternator

Stamford type HMC
Engine and alternator are mounted on a welded steel base frame, installed on vibration dampers

TECHNICAL DATA

Power	Cylinders	Diameter x Bore	Total Cylinder Capacity	Injection System	Starting System	Fly head	Dry Weight
60 Hz -504 Kva -1200 Rpm 60 Hz -762 Kva -1800 Rpm	6 cylinders	170x180 mm	24.5 liters	Direct	24 Volts bi-polar	SAE 18 / SAE 1	5750 Kg

Options

Classification

BV, LRS, DNV classification (and other). IMO classification

Engine cooling system

Heat exchanger fresh water / raw water (turbo lair or combined)
Plate cooler
Box cooler
Keel cooling
Mounted seawater pump
Electric seawater pump

Exhaust

Flexible expansion joint
Silencer 22 db or 35 db or others
Spark-arrestor

Lubricating oil system

Manual oil drain pump
Electric oil drain pump
Pre-lubricating pump
Emergency oil pump

starting system

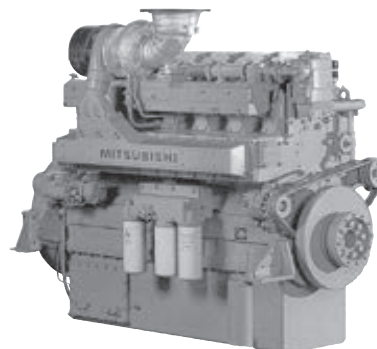
Air starting
Electric compressor set
Air / electrical combined starting

Instrumental panel

Single- or multi-stations
Mechanical or electronic remote control

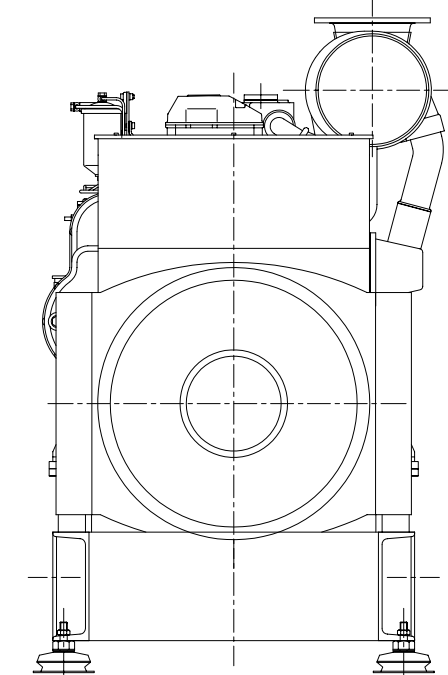
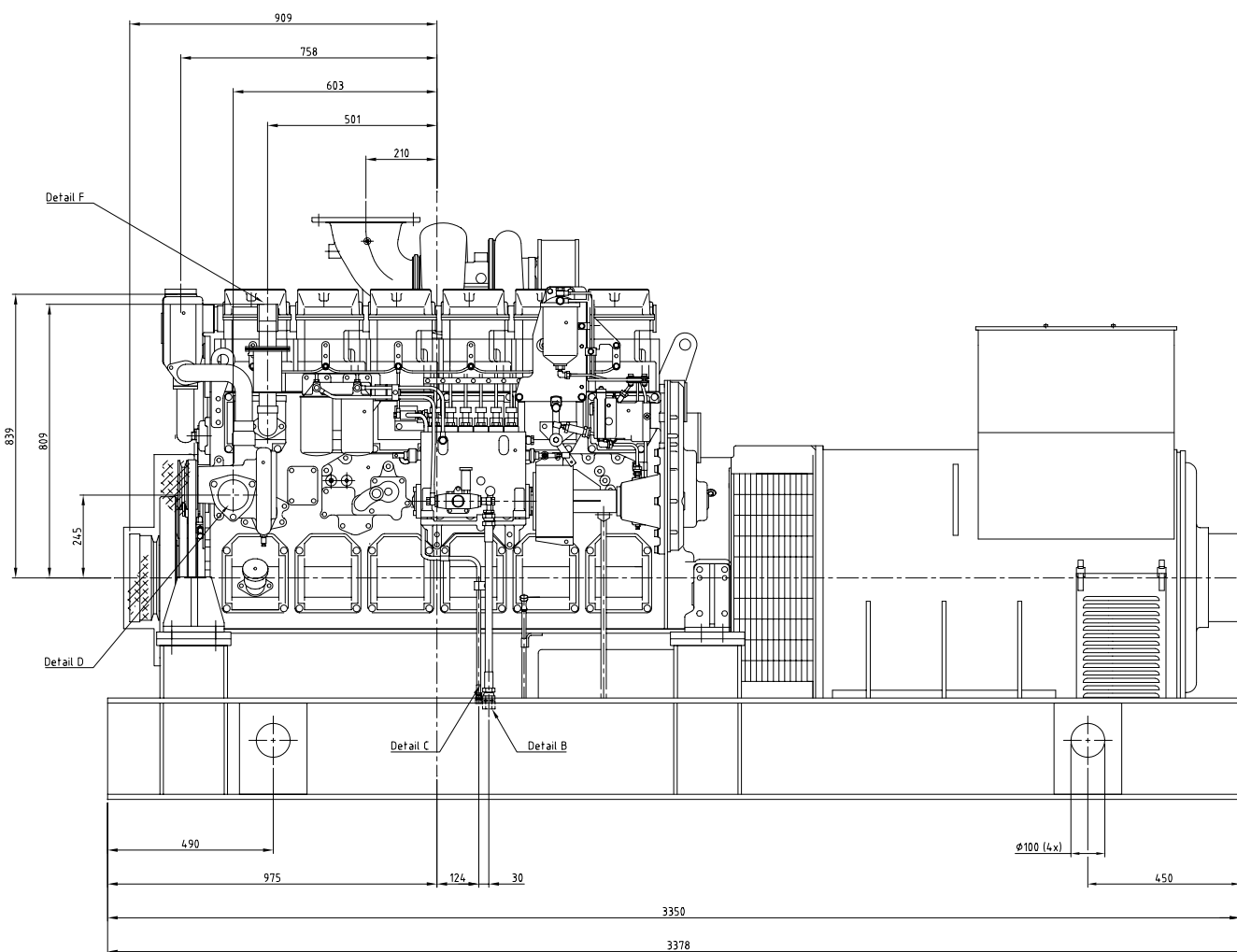
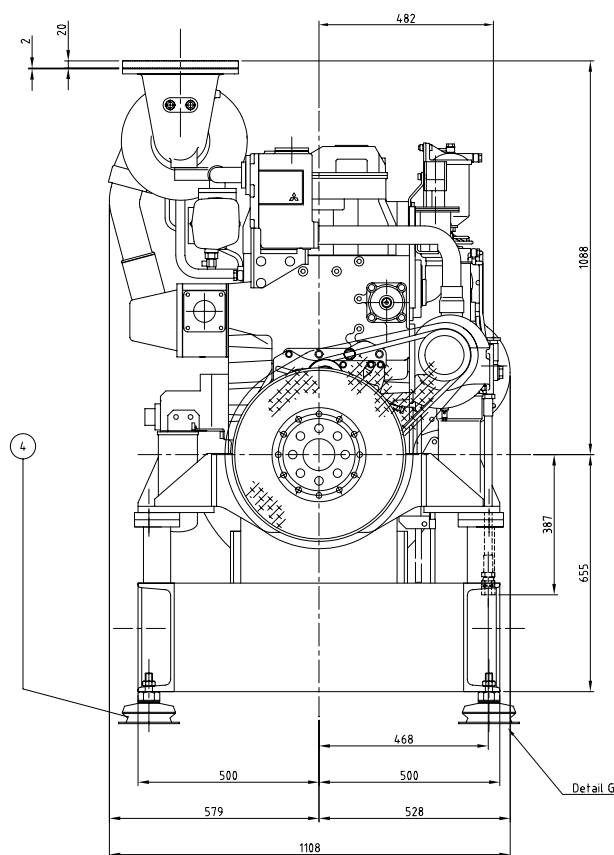
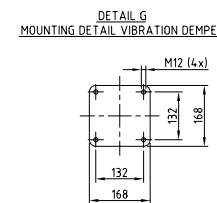
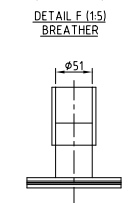
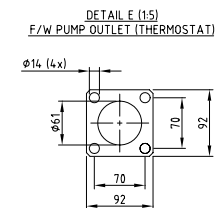
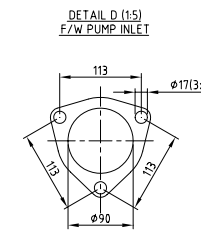
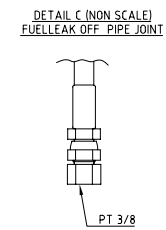
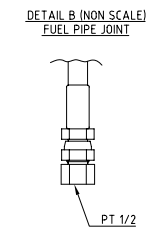
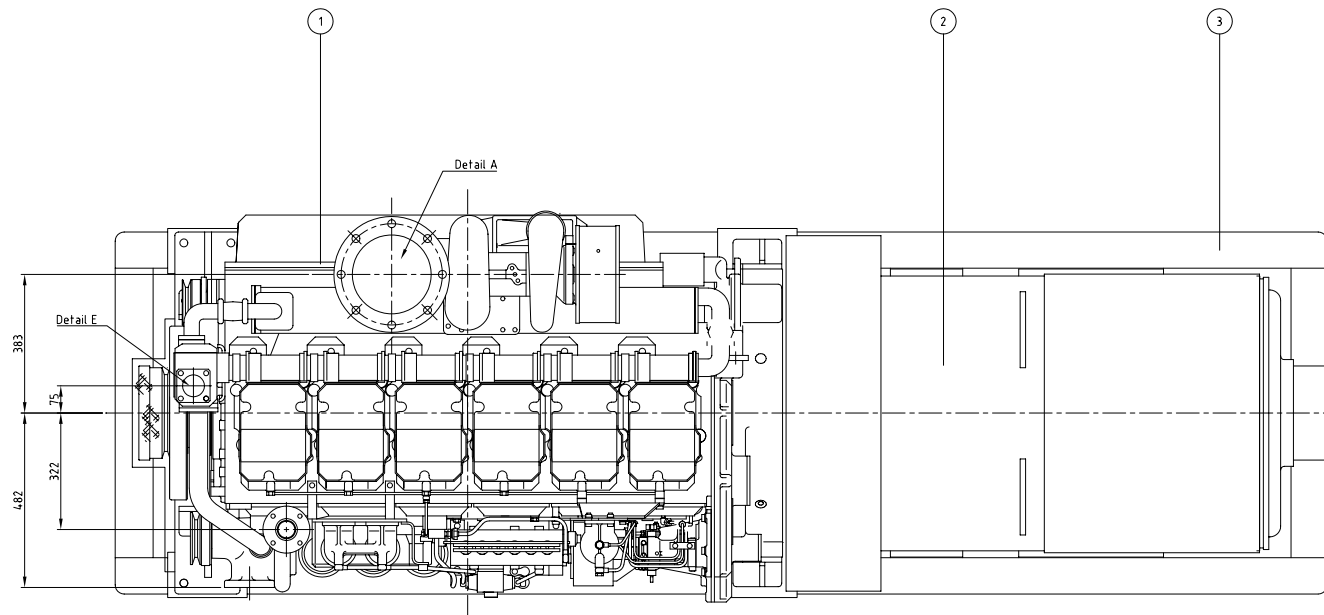
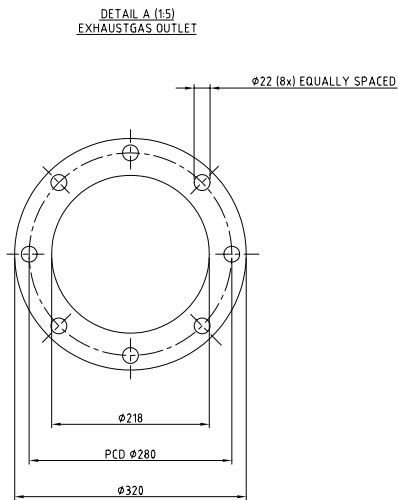
Alternator

Other brands like LEROY SOMER, etc...



S6R-MPTK 6-cylinder, 4-cycle, Water cooled, Diesel Engine Direct-injection, Turbocharged with Air-cooler

(L) : 24.51
Bore x Stroke (mm) : 170 x 180 Displacement



NOTE:
UNDER EVERY FILTER A DRIPTRAY WILL BE INSTALLED
ALL ROTATING PARTS WILL BE COVERED

FOR INFORMATION ONLY

POS No.	QUANTITY	DESCRIPTION	TYPE	MATERIAL
4	8	VIBRATION DAMPER	TV 053 I/A	
3	1	FRAME	B00470-0	STEEL
2	1	GENERATOR	HCM634G1 SAE 0/18"	
1	1	ENGINE	S6R-MPTK	

No.:	Date:	Description of change	Project:
Subject:		MAS 620	1500 rpm
Type:	S6R MPTK / HCM634G1	Project No.:	
Drawn:	S. Post	Checked:	Scale: 1:10
Date:		Date:	Size: A1
MHI EQUIPMENT EUROPE B. V.			Filename: B00530-0
EUROPEAN SALES AND SERVICE SUBSIDIARY OF MITSUBISHI HEAVY INDUSTRIES LTD. - JAPAN			Rev: 0
Drawing number: B00530-0			Sheet No: 1/1
all rights reserved			