

# MAS 675 - S6R2 MPTA

**Fuel System**

Fuel feed pump  
Change over type fuel filters  
Fuel injection pump  
Shielded fuel injection lines

**Lubricating Oil System**

Oil pressure alarm switch  
Full-flow lubricating oil filters (change over type)  
By-pass filter (change over type)  
Oil cooler with thermostat

**Cooling System**

Fresh water pump  
Thermostats with by-pass

**Electric System**

Starter motor  
Alternator 30 Amps

**Inlet and Exhaust System**

Turbo chargers MITSUBISHI  
Inlet air main fold with air cleaner  
Dry type exhaust main fold with vertical outlet, counter flange

**Other Standard Equipment**

Hydraulic governor  
Mounting brackets

**Alternator**

Stamford type HMC  
Engine and alternator are mounted on a welded steel base frame, installed on vibration dampers

**TECHNICAL DATA**

Power	Cylinders	Diameter x Bore	Total Cylinder Capacity	Injection System	Starting System	Fly head	Dry Weight
50 Hz –711 Kva –1500 Rpm 60 Hz –576 Kva –1200 Rpm	6 cylinders	170x220 mm	30.0 liters	Direct	24 Volts bi-polar	SAE 18 / SAE 1	5800 kg

**Options**

**Classification**

BV, LRS, DNV classification (and other). IMO classification

**Engine cooling system**

Heat exchanger fresh water / raw water (turbo lair or combined)  
Plate cooler  
Box cooler  
Keel cooling  
Mounted seawater pump  
Electric seawater pump

**Exhaust**

Flexible expansion joint  
Silencer 22 db or 35 db or others  
Spark-arrestor

**Lubricating oil system**

Manual oil drain pump  
Electric oil drain pump  
Pre-lubricating pump  
Emergency oil pump

**starting system**

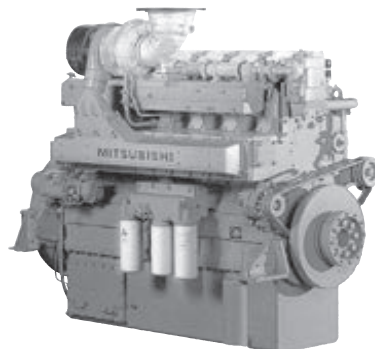
Air starting  
Electric compressor set  
Air / electrical combined starting

**Instrumental panel**

Single- or multi-stations  
Mechanical or electronic remote control

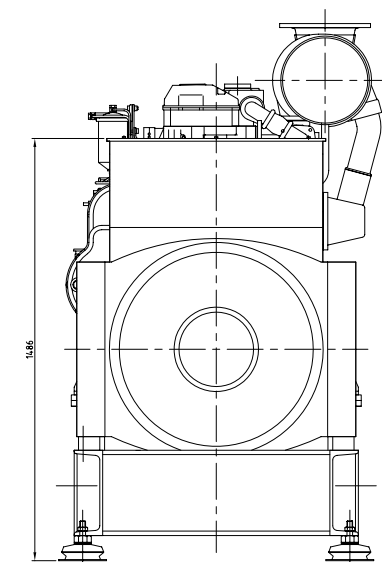
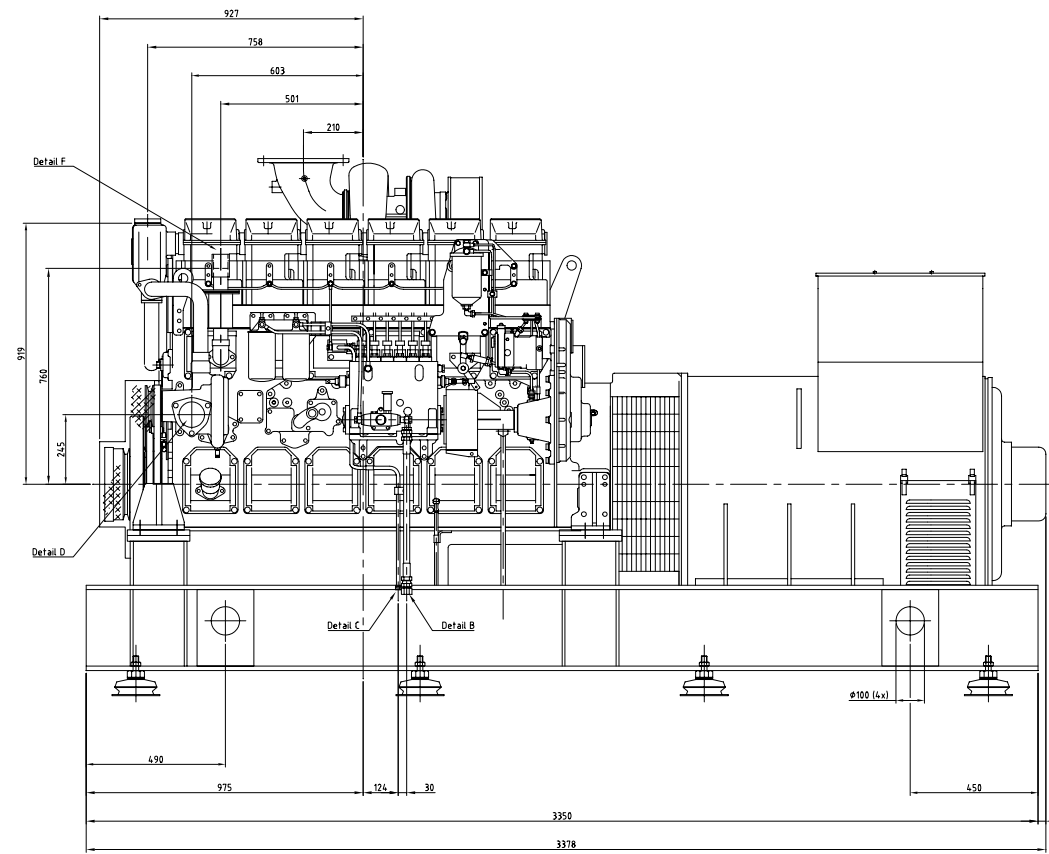
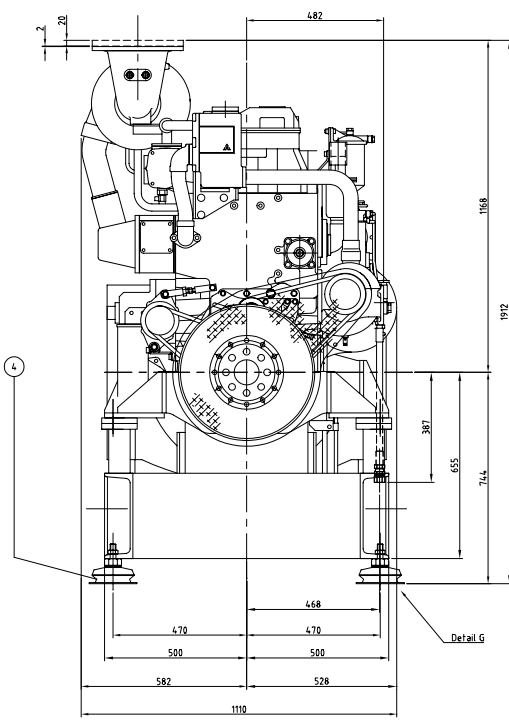
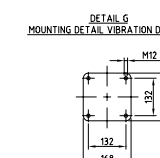
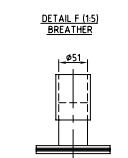
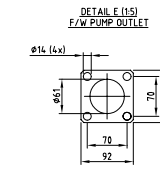
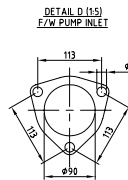
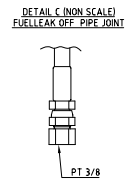
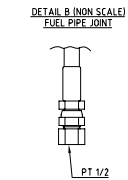
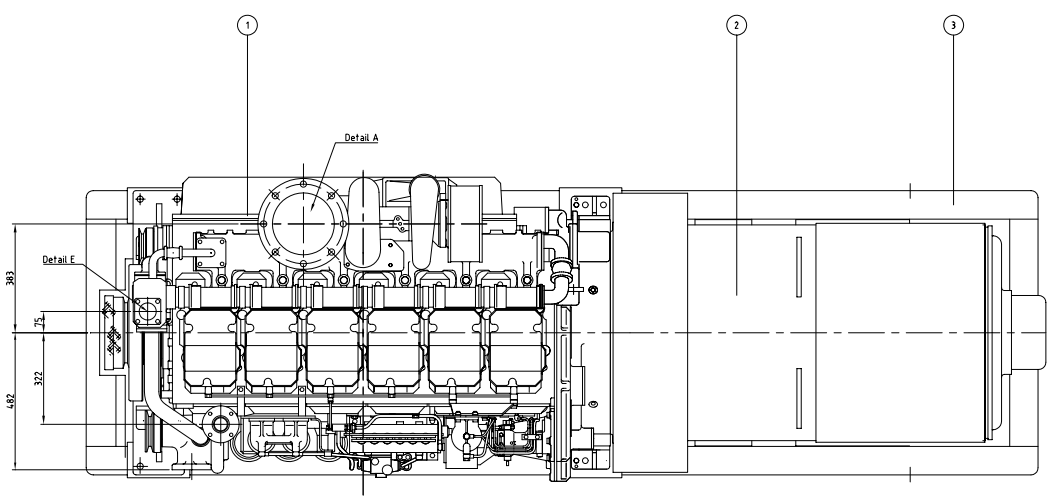
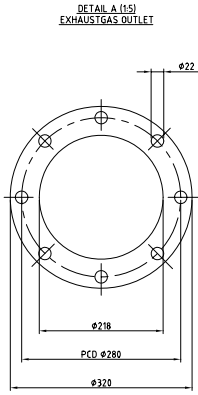
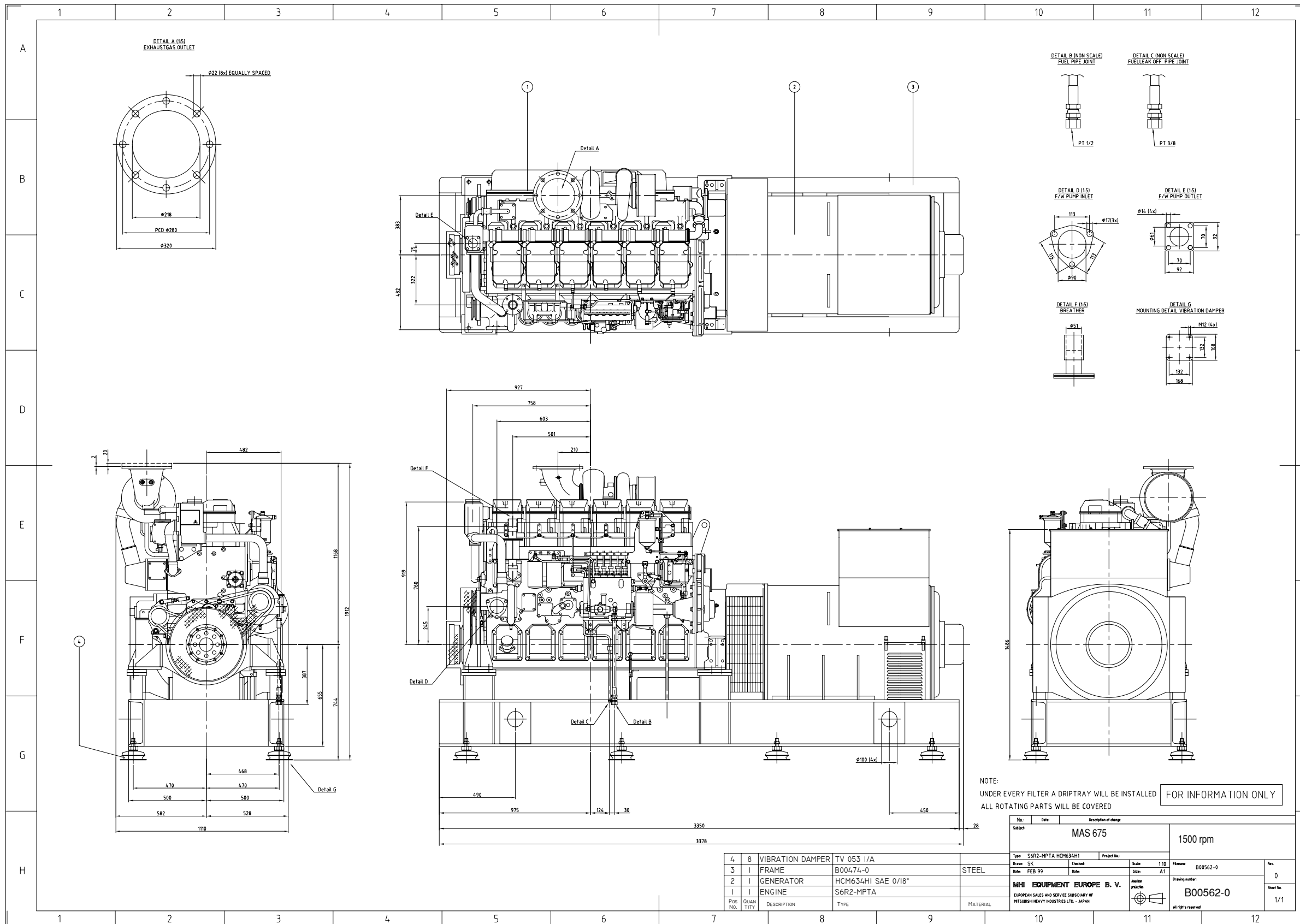
**Alternator**

Other brands like LEROY SOMER, etc...



**S6R2-MPTA** 6-cylinder, 4-cycle, Water cooled, Diesel Engine Direct-injection, Turbocharged with Air-cooler Mechanical governor

Bore x Stroke (mm) : 170 x 220  
Displacement (L) : 29.96



NOTE:  
UNDER EVERY FILTER A DRIPTRAY WILL BE INSTALLED FOR INFORMATION ONLY  
ALL ROTATING PARTS WILL BE COVERED

POS. NO.	QUAN. TTY	DESCRIPTION	TYPE	MATERIAL
4	8	VIBRATION DAMPER TV 053 1/A		
3	1	FRAME B00474-0		STEEL
2	1	GENERATOR HCM634HI SAE 0/18"		
1	1	ENGINE S6R2-MPTA		

No.:		Date:		Description of change:	
Subject:		MAS 675		1500 rpm	
Type:	S6R2-MPTA HCM634HI	Project No.:		Scale:	1:10
Drawn:	SK	Checked:		Filename:	B00562-0
Date:	FEB 99	Date:		Size:	A1
MHI EQUIPMENT EUROPE B. V.			Drawing number:		
EUROPEAN SALES AND SERVICE SUBSIDIARY OF MITSUBISHI HEAVY INDUSTRIES LTD. - JAPAN			B00562-0		
			all rights reserved		
				Rev:	
				0	
				Sheet No:	
				1/1	