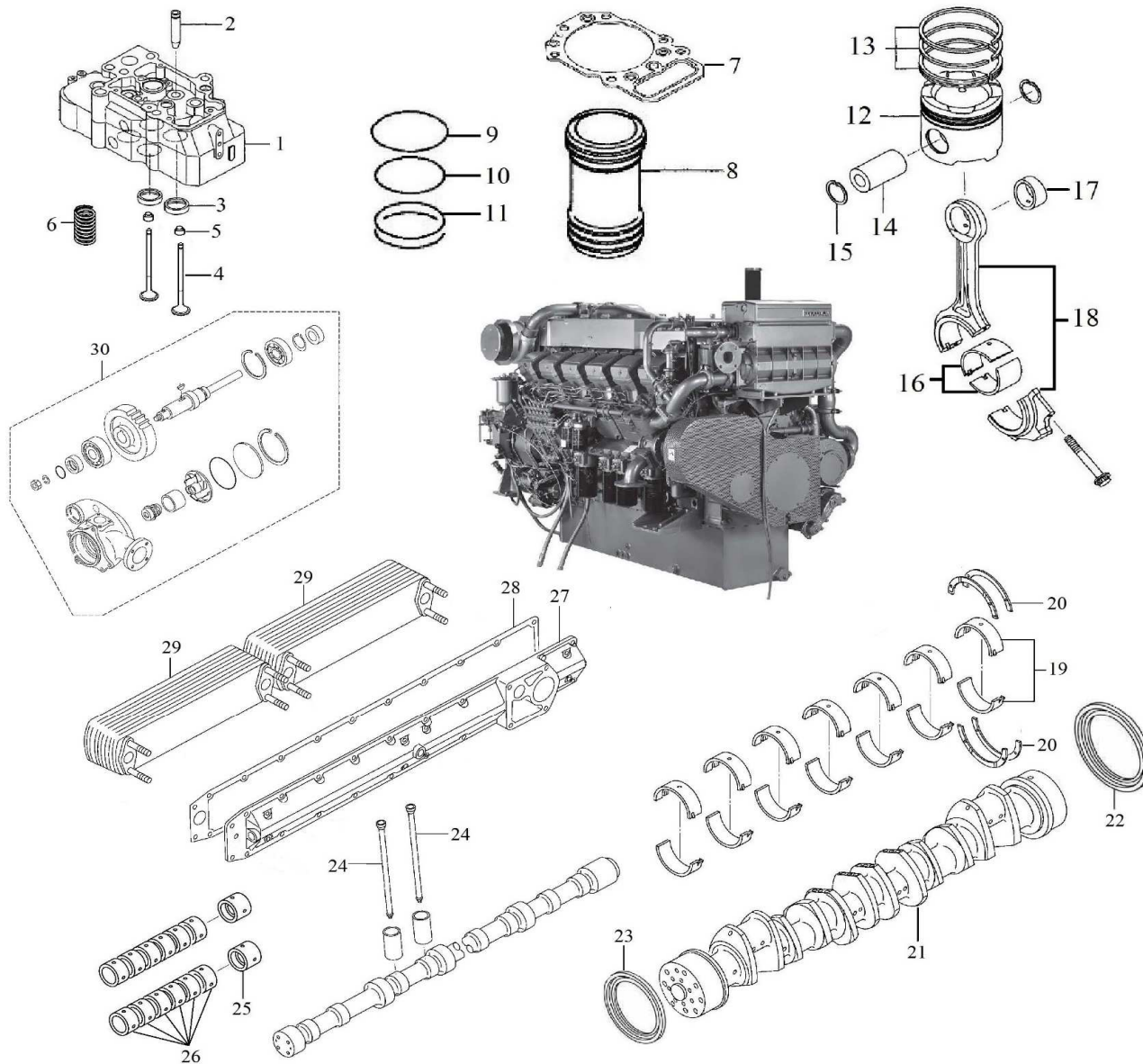


S12R-PT , S12R-PTA , S12R-MPTA , S12R-MPTK



Ref	Description	PART NO.	BOM Qty
1,	CYL. HEAD	37501-00391	12
2,	GUIDE,VALVA	37101-10600	48
3,	VALVE SEAT	37501-03101	48
4,	VALVE IN/EX	37504-30100	48
5,	SEAL, VALVE STEM	33504-10300	48
6,	SPRING,VALVE	37504-00400	48
7,	HEAD GASKET	37501-32100	12
8,	CYL. LINER	37517-05600	12
9,	O RING CYL. LINER	37507-32400	12
10,	O RING A LINER	37107-04200	12
11,	O RING B LINER	37107-04200	24
12,	PISTON,	37517-20100	12
13,	PISTON RING SET	37517-10010	12
14,	PIN,PISTON D70.SR	37517-18100	12
15,	RING SNAP	F3202-07000	24
16,	BEARING CON-ROD	37519-13100	24
17,	BUSHING CON-ROD	37519-10600	12
18,	CON ROD ASSY	37719-20060	12
19,	BEARING, MAIN	37709-12010	7
20,	BEARING, THRUST	37709-08100	4
21,	CRANKSHAFT	37720-10012	1
22,	OIL SEAL	37711-04300	1
23,	OIL SEAL	37511-04300	1
24,	PUSH ROD	37505-13100	24
25,	BUSHING,CAM	37507-03100	2
26,	BUSHING,CAM	37507-03200	10
27,	COVER,OIL COOLER	37739-00200	2
28,	PACKING,OIL COOLER	37739-00200	1
29,	ELEMENT,OIL COOLER	37739-00200	2
30,	FRESH WATER PUMP	37745-60011	1
	NOZZLE TIP	37561-17100	12
	PLUNGER & BARREL	48270-01000	6
	ELEMENT	37540-08511	1
	OIL FILTER	37540-11100	4
	BYPASS FILTER	37540-02100	1

Description	PART NO.	BOM Qty
OIL SEAL KIT	37794-62100	1
FRESH WATER PUMP	37745-60011	1
IMPELLER	SP-900	1

Description	PART NO.	BOM Qty
FULL SET GASKET	37794-10200	1
STARTING MOTOR	37566-45200	1