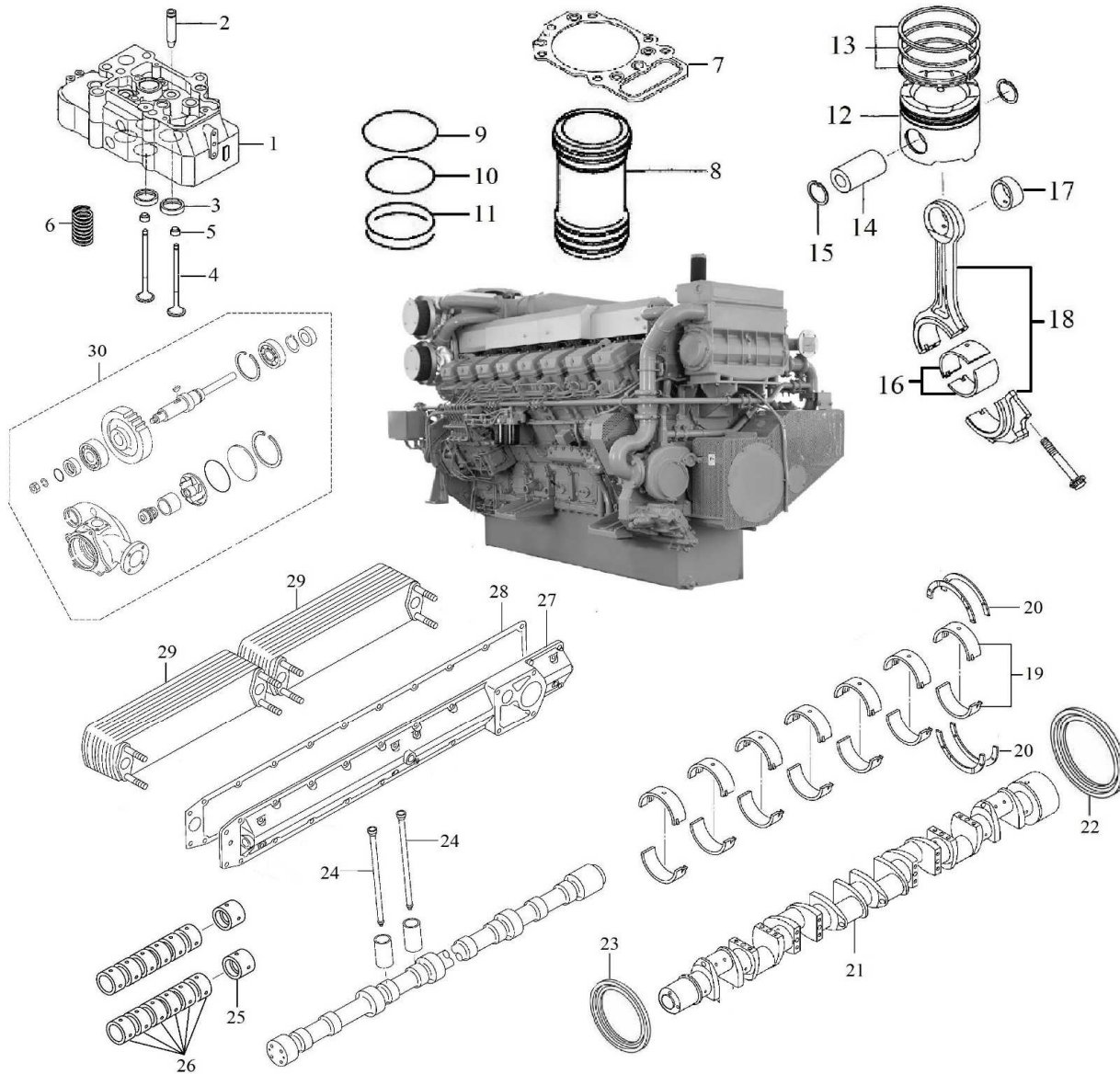


# S16R-PT , S16R-PTA , S16R-MPTA , S16R-MPTK



Ref	Description	PART NO.	BOM Qty
1,	CYL. HEAD	37501-00391	16
2,	GUIDE,VALVA	37101-10600	64
3,	VALVE SEAT	37501-03101	64
4,	VALVE IN/EX	37504-30100	64
5,	SEAL, VALVE STEM	33504-10300	64
6,	SPRING,VALVE	37504-00400	64
7,	HEAD GASKET	37501-32100	16
8,	CYL. LINER	37507-02600	16
9,	O RING CYL. LINER	37507-32400	16
10,	O RING A LINER	37107-04200	16
11,	O RING B LINER	37107-04300	32
12,	PISTON,	37517-20100	16
13,	PISTON RING SET	37517-10010	16
14,	PIN,PISTON D70.SR	37517-18100	16
15,	RING SNAP	F3202-07000	32
16,	BEARING CON-ROD	37519-13100	32
17,	BUSHING CON-ROD	37519-10600	16
18,	CON ROD ASSY	37719-20020	16
19,	BEARING, MAIN	37709-12010	9
20,	BEARING, THRUST	37709-08100	4
21,	CRANKSHAFT	37720-10012	1
22,	OIL SEAL	37711-04300	1
23,	OIL SEAL	37511-04300	1
24,	PUSH ROD	37505-13100	32
25,	BUSHING,CAM	37507-03100	2
26,	BUSHING,CAM	37507-03200	16
27,	COVER,OIL COOLER	37739-20300	2
28,	PACKING,OIL COOLER	37739-00200	1
29,	ELEMENT,OIL COOLER	37739-20100	2
30,	FRESH WATER PUMP	37745-60011	1
	NOZZLE TIP	37561-17100	16
	PLUNGER & BARREL	48270-01000	8
	ELEMENT	37540-08511	1
	OIL FILTER	37540-11100	2
	BYPASS FILTER	37540-02100	1

Description	PART NO.	BOM Qty	Description	PART NO.	BOM Qty
OIL SEAL KIT	37794-62100	1	FULL SET GASKET	37794-10200	1
IMPELLER	SP-900	1	STARTING MOTOR	37766-00200	1