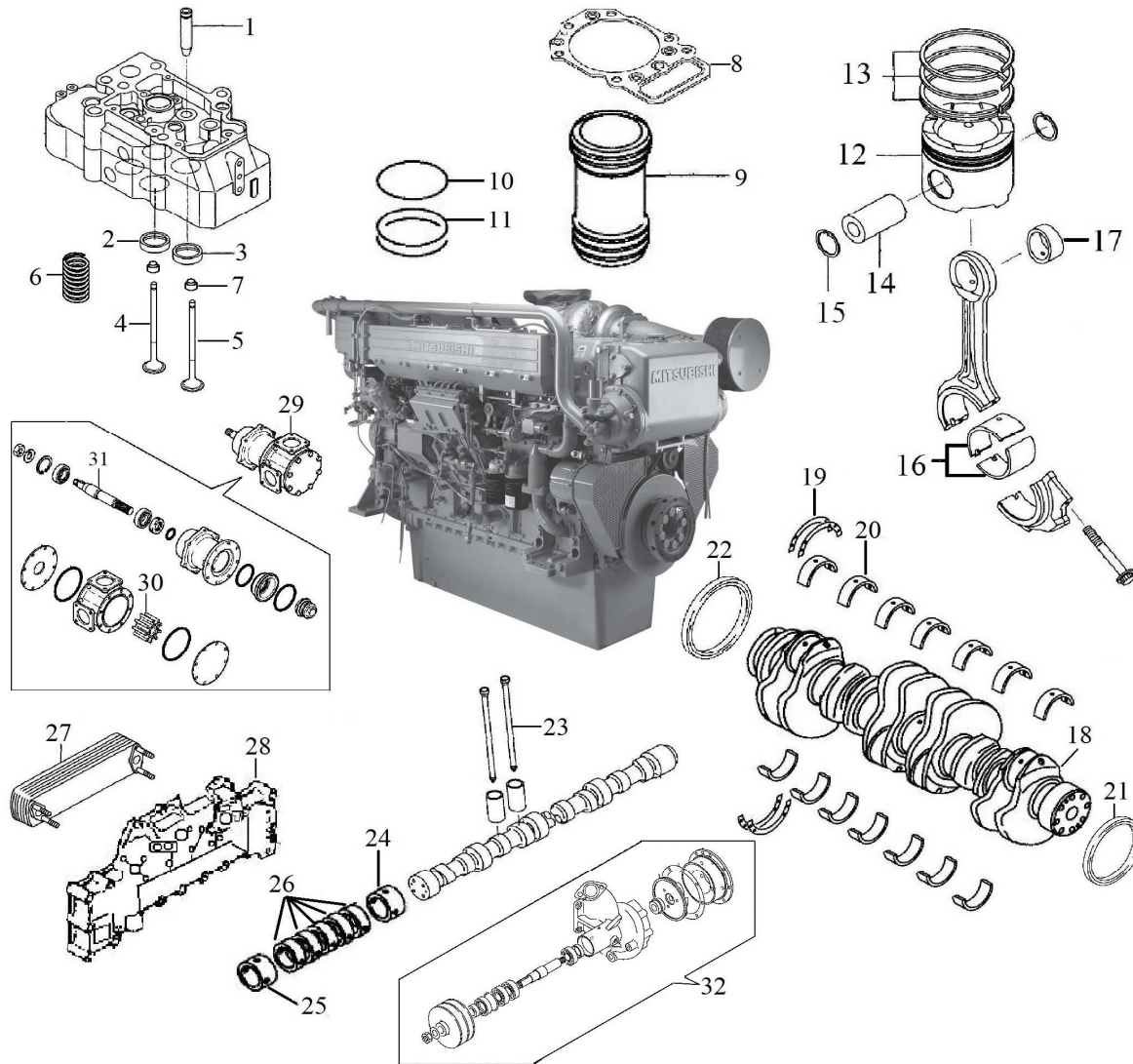


## S6A3-PT , S6A3-PTA , S6A3-MPTA , S6A3-MPTK



Ref	Description	PART NO.	BOM Qty
1,	GUIDE,VALVA	32501-10700	24
2,	VALVE SEAT	35A01-14100	12
3,	VALVE SEAT	32501-04200	12
4,	VALVE IN	32504-00200	12
5,	VALVE EX	32504-11201	12
6,	SPRING,VALVE	32504-00500	24
7,	SEAL, VALVE STEM	33504-10300	24
8,	HEAD GASKET	32501-3230	6
9,	CYL. LINER	35A07-42300	6
10,	O RING A LINER	32307-52300	6
11,	O RING B LINER	32307-52400	12
12,	PISTON,	35A17-30100	6
13,	PISTON RING SET	35A17-01010	6
14,	PIN,PISTON	32517-78100	6
15,	RING SNAP	F3202-05800	12
16,	BEARING CON-ROD	32519-42100	6
17,	BUSHING CON-ROD	32519-11700	6
18,	CRANKSHAFT	35A20-10010	1
19,	BEARING, THRUST	35A09-18100	2
20,	BEARING, MAIN	35A09-31010	7
21,	OIL SEAL	04865-18023	1
22,	OIL SEAL	32511-25100	1
23,	PUSH ROD	32505-23100	6
24,	BUSHING,CAM	32507-04100	1
25,	BUSHING,CAM	33407-03201	5
26,	BUSHING,CAM	33407-03300	1
27,	ELEMENT,OIL COOLER	35A39-01100	1
28,	COVER,OIL COOLER	35A39-00300	1
29,	SEA WATER PUMP	42783-20100	1
30,	IMPELLER S.W.	42783-10127	1
31,	WATER PUMP SHAFT	42783-20153	1
32,	FRESH WATER PUMP	35A45-00010	1
	IMPELLER F.W.	32645-00300	1
	STARTING MOTOR	04301-30101	1

Description	PART NO.	BOM Qty	Description	PART NO.	BOM Qty
TANK	35A52-10100	1	FULL SET GASKET	35A94-40211	1
COVER	35A52-00400	1	OIL SEAL SLEEVE	32607-06600	1
COVER	35A52-00300	1	VALVE, CAP	30004-24302	24
NOZZLE TIP	35A07-08500	6			