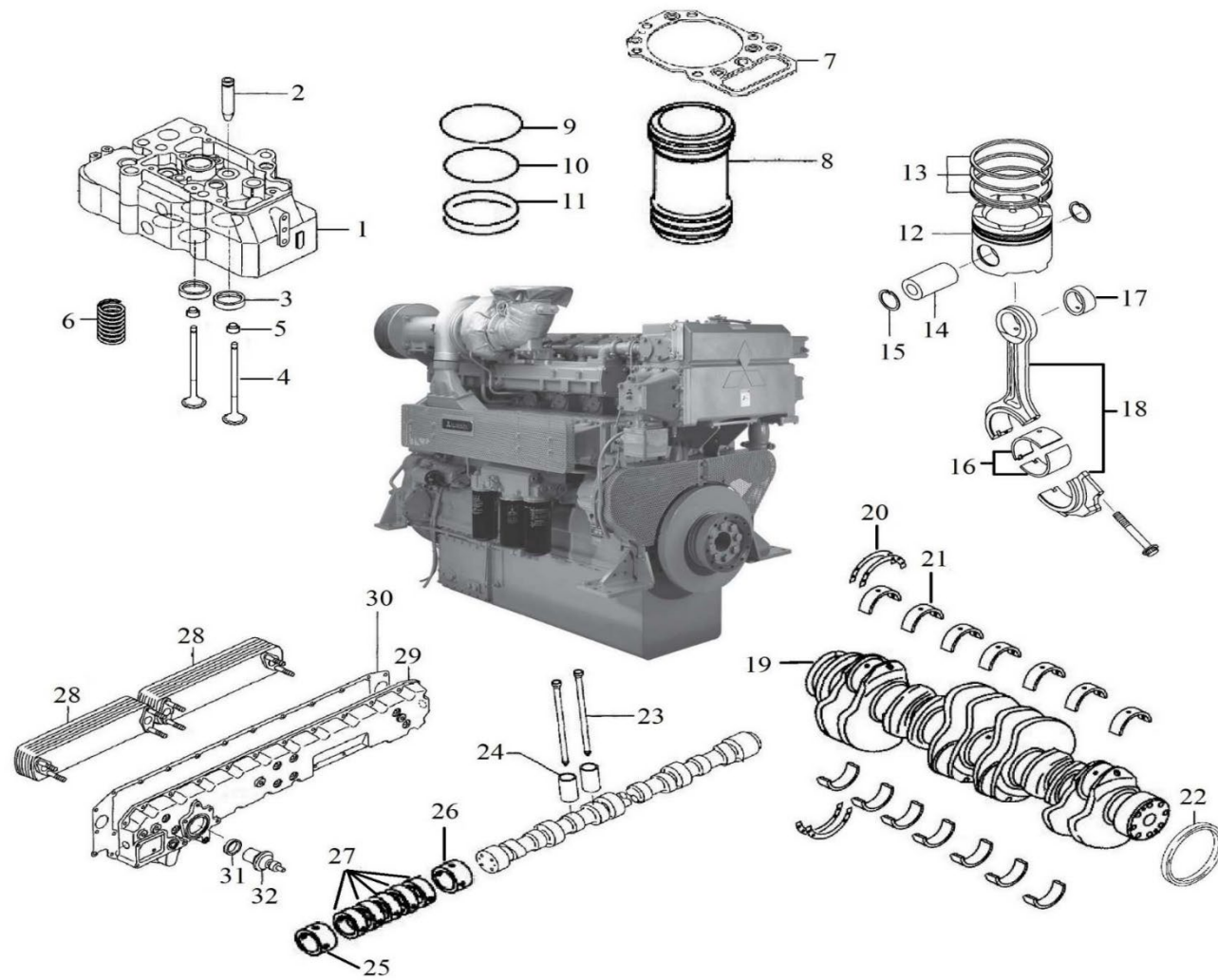


S6R-PTA , S6R-MPTA , S6R-MPTK



Ref	Description	PART NO.	BOM Qty	RFQ Qty
1.	CYL. HEAD	37501-00391	6	
2.	GUIDE,VALVA	37101-10600	24	
3.	VALVE SEAT	37501-03101	24	
4.	VALVE IN/EX	37504-30200	24	
5.	SEAL, VALVE STEM	33504-10300	24	
6.	SPRING,VALVE	37504-10400	24	
7.	HEAD GASKET	37501-02201	6	
8.	CYL. LINER	37507-22700	6	
9.	O RING CYL. LINER	37507-32400	6	
10.	O RING A LINER	37107-04200	6	
11.	O RING B LINER	37107-04300	12	
12.	PISTON, 170X180 TWST	37517-20100	6	
13.	PISTON RING SET	37517-10010	6	
14.	PIN,PISTON D70.SR	37517-18100	6	
15.	RING SNAP	F3202-07000	12	
16.	BEARING CON-ROD	37519-13100	12	
17.	CON ROD ASSY	37519-60V10	6	
18.	BUSHING CON-ROD	37519-10600	6	
19.	CRANKSHAFT	37520-201V0	1	
20.	BEARING, THRUST	37509-38100	4	
21.	BEARING, MAIN	37509-50010	7	
22.	OIL SEAL	37511-04300	2	
23.	PUSH ROD	37505-13100	12	
24.	TAPPET	37505-31100	12	
25.	BUSHING,CAM L23 F	37507-03100	1	
26.	BUSHING,CAM L23 R	37507-03100	1	
27.	BUSHING,CAM L23 M	37507-03200	5	
28.	ELEMENT,OIL COOLER	37539-20100	2	
29.	COVER,OIL COOLER	37539-30300	1	
30.	PACKING,OIL COOLER	37539-10200	1	
31.	SEAL THERMOSTAT	37539-00600	1	
32.	THERMOSTAT OIL	37539-10500	1	
33.	NOZZLE TIP	37561-17500	6	
34.	PLUNGER & BARREL	48270-01000	6	
35.	ELEMENT	37540-08511	1	
36.	OIL FILTER	37540-11100	2	
37.	BYPASS FILTER	37540-02100	1	
38.	FUEL FILTER	42787-03100	1	
39.	STARTING MOTOR	37566-45201	1	
40.	EXHAUST MANIFOLD	37531-38100	1	
41.	EXHAUST MANIFOLD	37532-40035	1	
42.	FRESH WATER PUMP	45352-90022	1	
43.	WATER PUMP SHAFT	42783-20153	1	
44.	IMPELLER, FRESH	37545-00500	1	
45.	SEA WATER PUMP	37553-28100	1	
46.	WATER PUMP SHAFT	42783-20153	1	
47.	FULL SET GASKET	37594-33220	1	
48.	IMPELLER, SEA	SP-500	1	
49.	STARTING MOTOR	37566-45200	1	
50.	FLEXIBLE PIPE	42706-02100	1	



Amsterdam Alexandria Marine
 Boekweitstraat 17
 2153 GK, Nieuw Vennep
 The Netherlands

+31(0)252514588
 info@aam-equipment.nl
 www.aam-equipment.nl

