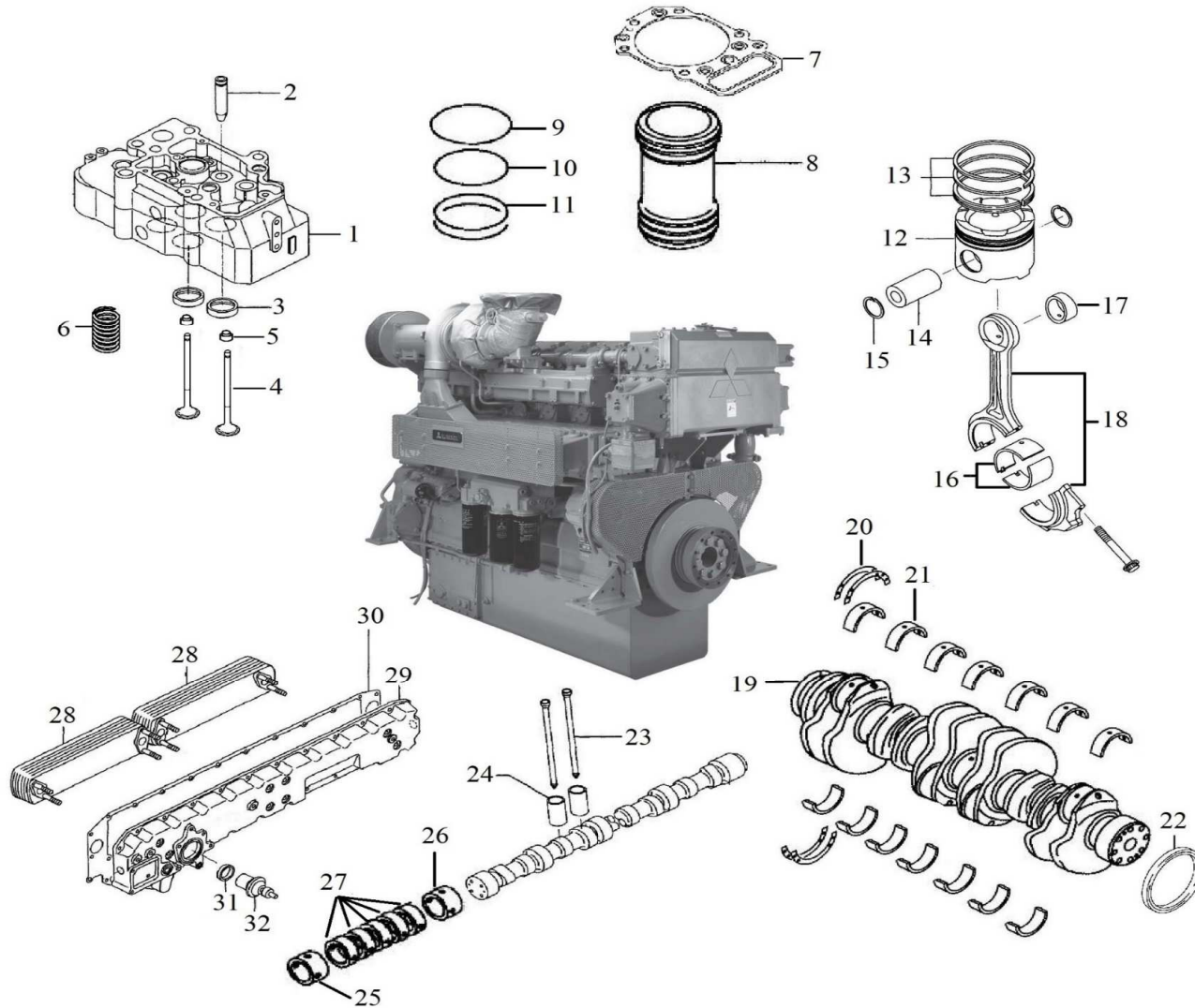


S6R2-PTA , S6R2-MPTA , S6R2-MPTK



Ref	Description	PART NO.	BOM Qty
1,	CYL. HEAD	37501-00391	6
2,	GUIDE,VALVA	37101-10600	24
3,	VALVE SEAT	37501-03101	24
4,	VALVE IN/EX	37504-30200	24
5,	SEAL, VALVE STEM	33504-10300	24
6,	SPRING,VALVE	37504-10400	24
7,	HEAD GASKET	37501-02201	6
8,	CYL. LINER	37507-55600	6
9,	O RING CYL. LINER	37507-32400	6
10,	O RING A LINER	37107-04200	6
11,	O RING B LINER	37107-04300	12
12,	PISTON,	37517-25100	6
13,	PISTON RING SET	37517-10010	6
14,	PIN,PISTON D70.SR	37517-18100	6
15,	RING SNAP	F3202-07000	12
16,	BEARING CON-ROD	37519-13100	12
17,	CON ROD ASSY	37519-60V10	6
18,	BUSHING CON-ROD	37519-10600	6
19,	CRANKSHAFT	37520-201V0	1
20,	BEARING, THRUST	37509-38100	4
21,	BEARING, MAIN	37509-50010	7
22,	OIL SEAL	37511-04300	2
23,	PUSH ROD	37505-15100	12
24,	TAPPET	37505-31100	12
25,	BUSHING,CAM L23 F	37507-03100	1
26,	BUSHING,CAM L23 R	37507-03100	1
27,	BUSHING,CAM L23 M	37507-03200	5
28,	ELEMENT,OIL COOLER	37539-20100	2
29,	COVER,OIL COOLER	37539-30300	1
30,	PACKING,OIL COOLER	37539-10200	1
31,	SEAL THERMOSTAT	37539-00600	1
32,	THERMOSTAT OIL	37539-10500	1

Description	PART NO.	BOM Qty	Description	PART NO.	BOM Qty
STARTING MOTOR	37566-45201	1	SEA WATER PUMP	37553-28100	1
EXHAUST MANIFOLD	37531-38100	1	WATER PUMP SHAFT	42783-20153	1
EXHAUST MANIFOLD	37532-40035	1	FULL SET GASKET	37594-33220	1
FRESH WATER PUMP	45352-90022	1	IMPELLER, SEA	SP-500	1
WATER PUMP SHAFT	42783-20153	1	STARTING MOTOR	37566-45200	1
IMPELLER, FRESH	37545-00500	1	FLEXIBLE PIPE	42706-02100	1

NOZZLE TIP	37561-17500	6
PLUNGER & BARREL	48270-01000	6
ELEMENT	37540-08511	1
OIL FILTER	37540-11100	2
BYPASS FILTER	37540-02100	1
FEUL FILTER	42787-03100	1