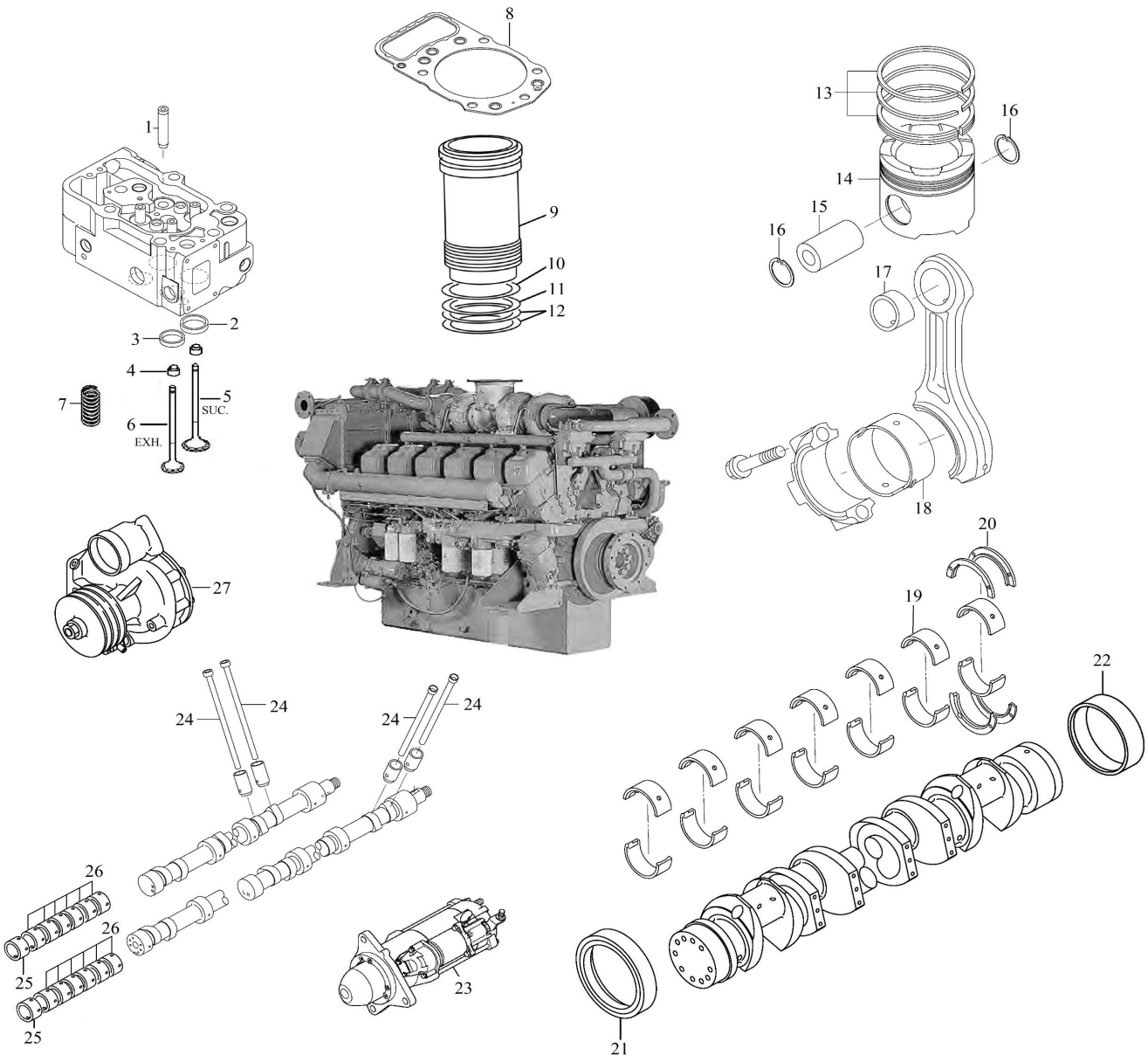


# S12A2-PT , S12A2-PTA , S12A2-PTK , S12A2-MTK , S12A2-MPT , S12A2-MPTA , S12A2-MPTK



Ref	Description	PART NO.	BOM Qty
1,	GUIDE,VALVA	32501-10700	48
2,	SEAT,INLET	35A01-14100	24
3,	SEAT,EXHAUST	32501-04200	24
4,	SEAL, VALVE STEM	33504-10300	48
5,	VALVE,INLET	32504-00200	24
6,	VALVE,EXHAUST	32504-11201	24
7,	SPRING,VALVE	32504-00500	48
8,	GASKET,CYLINDER HEAD	32501-92800	12
9,	LINER,CYLINDER	32507-12400	12
10,	RING	32598-26700	12
11,	O-RING,LINER	32507-02700	12
12,	O-RING,LINER	32507-02600	24
13,	RING SET,PISTON	32517-17010	12
14,	PISTON	32517-91100	12
15,	PIN,PISTON	32517-68100	12
16,	RING,SNAP	F3202-05800	24
17,	BUSHING,CON-ROD	32519-01700	12
18,	BEARING,CON-ROD	32519-22100	24
19,	BEARING SET,MAIN	32509-20010	7
20,	PLATE,THRUST	32509-18100	4
21,	SEAL,OIL	32511-25100	1
22,	SEAL,OIL	04865-18020	1
23,	STARTER ASSY	04301-58800	1
24,	PUSH ROD	32505-23100	24
25,	BUSHING,CAMSHAFT	32607-03100	2
26,	BUSHING,CAMSHAFT	32607-03200	12
27,	PUMP ASSY,WATER	32645-31020	1