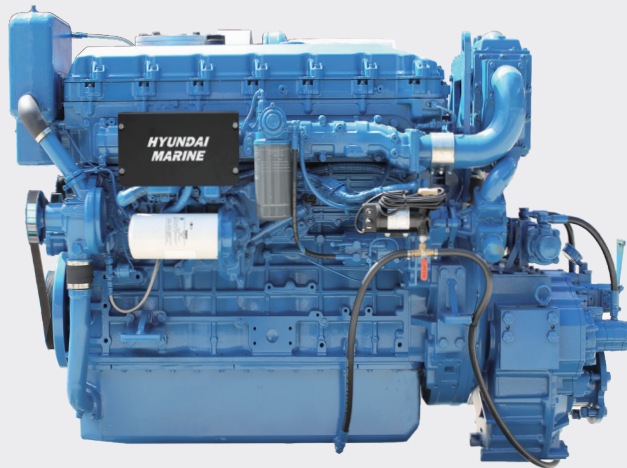


# HYUNDAI

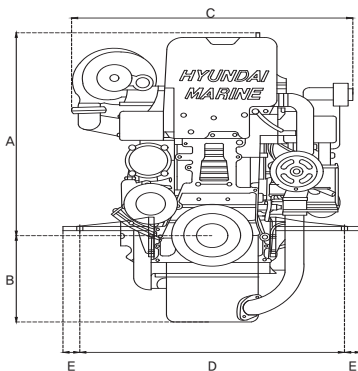
**M6D32~37 SERIES 440 PS ~ 600 PS**



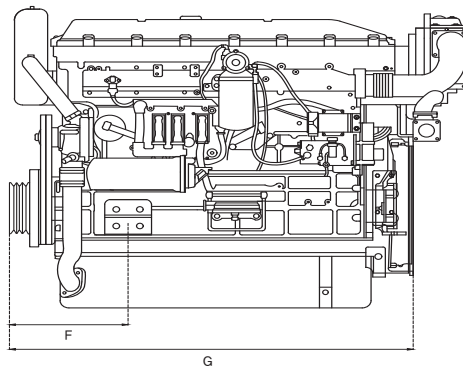
**M6D37TI**  
600 PS / 2000 RPM

## • DIMENSIONS

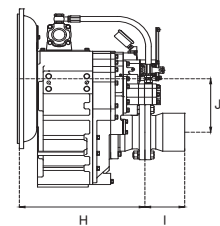
FRONT VIEW



SIDE VIEW

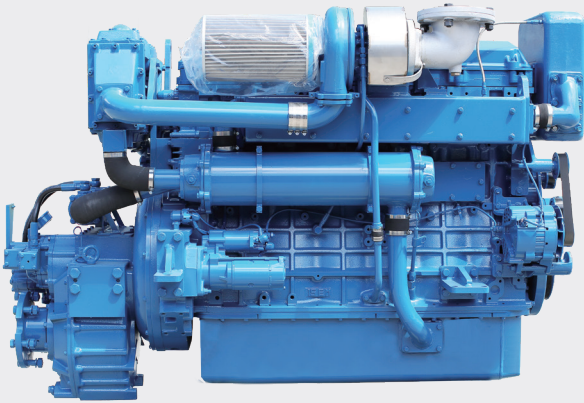


GEARBOX - OPTIONAL



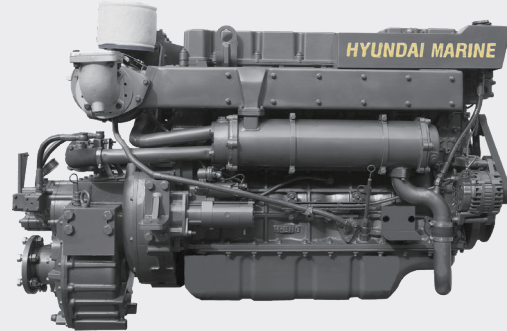
		(mm)									
MODEL	CLASS	A	B	C	D	E	F	G	H	I	J
M6D32TI		700	310	850	870	100	355	1103	465	140	211
M6D35TI		870	370	920	866	55	465	1435	569	200	227
M6D36TI		↓	↓	↓	↓	↓	↓	↓	↓	↓	↓
M6D36TI2		↓	↓	↓	↓	↓	↓	↓	↓	↓	↓
M6D37T		↓	↓	↓	↓	↓	↓	↓	584	200	254

# Diesel Engine



**M6D35TI**

500 PS / 2000 RPM



**M6D32TI**

440 PS / 2000 RPM

## • SPECIFICATION

SPEC	MODEL	M6D32TI	M6D35TI	M6D36TI	M6D36TI2	M6D37TI
Engine type		4cycle,vertical,fresh water cooled diesel engine				
Out put (PS/RPM)		440/2000	500/2000	530/2000	550/2000	600/2000
No.of.cyl		L6				
Bore x stroke(mm)		122×142	130×155	130×160		
Volume(cc)		9,960	12,344	12,742		
Aspiration		TCI				
Combustion type		DI				
Compression ratio		17.0	17.2			
Fuel		Diesel light oil , CETANE NO.45 OR HIGHER				
L.O		API CI-4, SAE10W40				
L.O system		Forced Circulation by gear pump				
Cooling system		Heat exchanger type forced circulation by centrifugal pump				
Starting system		DC24V Electric Starting				
Fuel inj. Pump		EUI TYPE				
GOVERNOR TYPE		ELECTRONIC GOVERNOR				
Marie gear box		DMT150H/TK520	DMT240H/TK620			DMT260H
Ratio(STD)		1.83/2.09/2.51/3.08/3.43	1.50/1.97/ 2.44/2.93/3.40			2.06/2.50/2.92/3.26
Dry weight(kg)		1,180	1,265	1,275		

※ The specifications and type of engine mentioned above can be changed without prior notice for the improvement of quality.